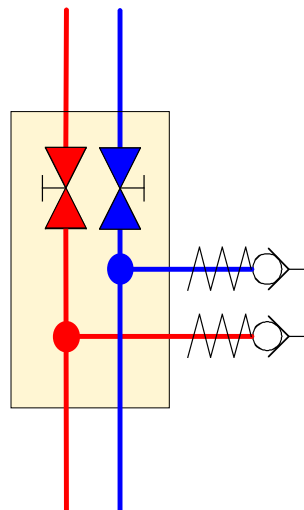


## Emergency connection blocks

**CONNECTION BLOCK WITH BLOCKING VALVES AND QUICK CONNECTORS FOR PORTABLE HAND PUMP.  
STANDARD MATERIAL: SEAWATER RESISTANT BRASS (OPTIONAL AISI 316)**

### FOR IN-LINE MOUNTING

- Mounted in hydraulic lines, on deck etc.
- For submerged actuators or for actuators where connection of portable hand pump is not suitable.



### FOR ACTUATOR MOUNTING

- Mounted on the actuator when accessible for connection of portable hand pump

