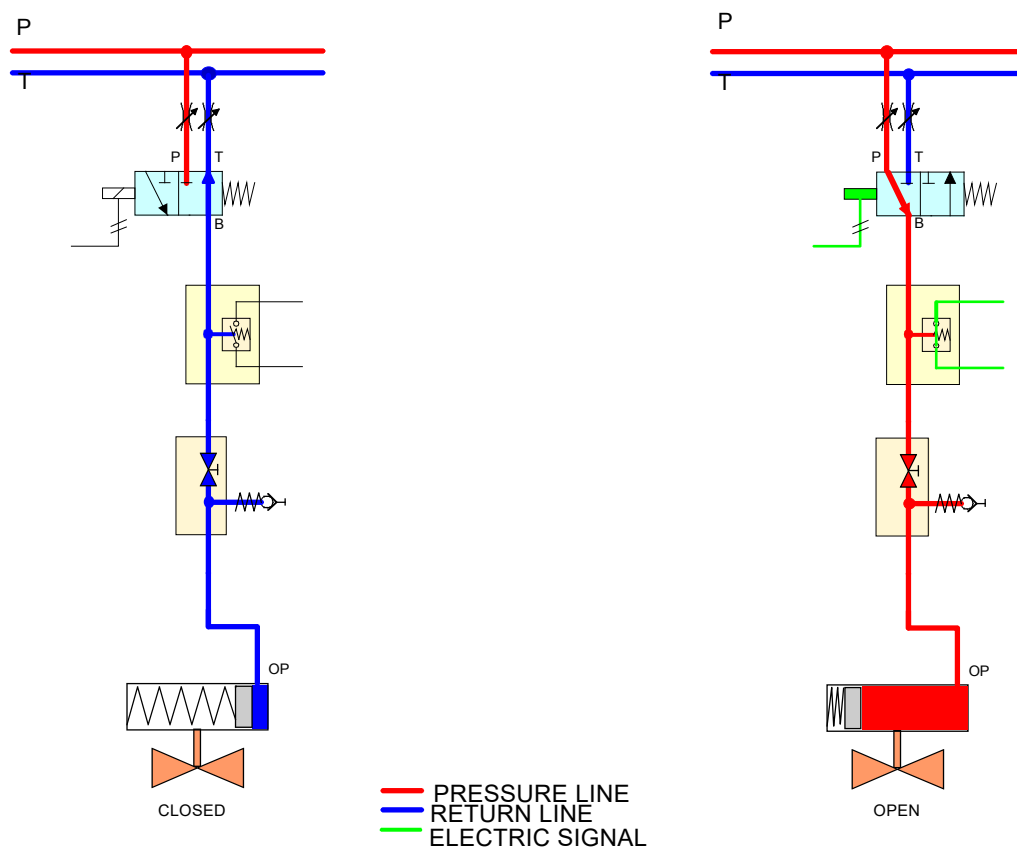


## Control Circuit S22

### INDIRECT INDICATION OPEN/CLOSE



#### Open/Close control, fail to Close (or open). Indirect indication.

Control via spring loaded directional valve, 4/2 type, activated by one solenoid operated by electric signal.

Open/Close position indication by pressure switches in the actuator lines. The pressure switch is activated by pressure less than 10 bar.

Pressure in the actuator line indicates actuator in "OPEN" position (fail to close actuators) or "ACTUATOR MOVING". 0 pressure in the actuator line indicates actuator in SAFE position (closed for fail to close actuators).

The pressure switch is equipped with a 3-pt. switchover contact.